



**MODEL 302-BG-C3**  
with standard foam inserts

### Features

- » Durable polyethylene construction
- » Two-piece design with easy lift-off access
- » ASSE approval on all three classifications
- » Built-in double-locking hasp
- » Insect-resistant ventilation media



**MODEL 301-GT-C3**  
with standard foam inserts

## FOR OUTDOOR INSTALLATIONS

Our insulated and uninsulated enclosures are designed primarily for the backflow market and fit ¾" – 2" backflow assemblies and pressure vacuum breakers. Available in three configurations: **1)** Dekorra box and base only; **2)** Dekorra backflow box and base with an insulated pouch providing R-13 insulation; or **3)** Dekorra backflow box and base with insulation and self-regulating heat source. **4)** Optional Cage View™ design allows for easy visual inspection and vandal protection. Choose from two natural tones—Green Turf or Brown Granite.

Job Name \_\_\_\_\_ Contractor \_\_\_\_\_  
 Job Location \_\_\_\_\_ Approval \_\_\_\_\_  
 Engineer \_\_\_\_\_ Contractor's P.O. Number \_\_\_\_\_  
 Approval \_\_\_\_\_ Representative \_\_\_\_\_  
 Model \_\_\_\_\_ Options \_\_\_\_\_

### Specifications

Dekorrra Backflow Enclosures incorporate features to provide for positive drainage, security, and accessibility for monitoring, testing, repairing and replacing components. The enclosure provides freeze protection, freeze retardant or non-freeze protection of the components inside.

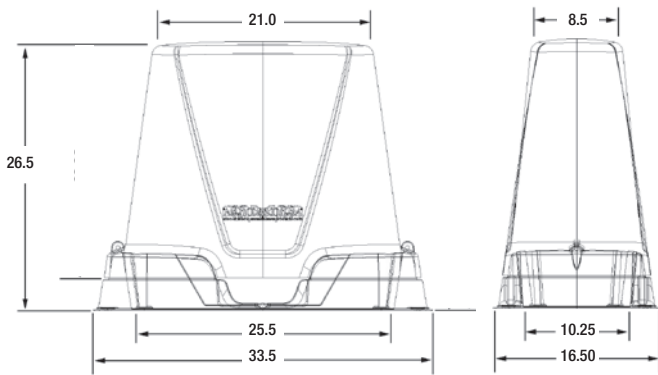
### ASSE Classes

- » **CLASS I (C1)** – Freeze protection. Dekorra Enclosures Class I and I-V shall have a minimum thermal resistance value of eight and a positive means of heat. Dekorra Backflow enclosures have been designed and constructed to maintain a minimum internal temperature of 40°F.
- » **CLASS II (C2)** – Freeze retardant. Dekorra Enclosures Class II and II-V shall have a minimum thermal resistance value of eight. Dekorra Backflow enclosures have been designed and constructed to be installed in minimum external temperatures of 33°F.
- » **CLASS III (C3)** – Non-freeze protection. Dekorra Enclosures Class III and III-V are designed and constructed to provide system security for components when freezing temperatures are not a consideration.

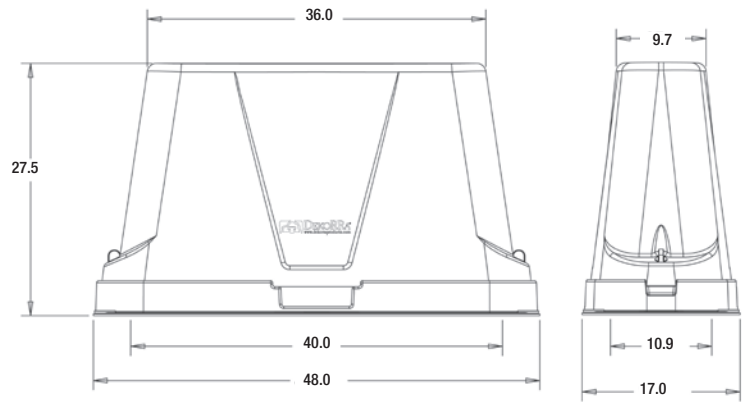


**MODEL 301-BG-CV**

## MODEL 301



## MODEL 302



**ASSE CLASSIFICATIONS:** CLASS III (C3) (non-insulated)  
 CLASS II (C2) (insulated)  
 CLASS I (C1) (insulated & heated)

**MODEL 301** | Length: 33.5", Width: 16.5", Height: 26.5"  
 Weight: 15 lbs., 5 units per case

**MODEL 302** | Length: 48", Width: 17", Height: 27.5"  
 Weight: 25 lbs., 5 units per case



**Model 301-BG-C3**  
 UPC 6 56803 33012 9

**Model 301-BG-C2**  
 UPC 6 56803 23012 2

**Model 301-BG-C1**  
 UPC 6 56803 13012 5



**Model 302-BG-C3**  
 UPC 6 56803 33022 8

**Model 302-BG-C2**  
 UPC 6 56803 23022 1

**Model 302-BG-C1**  
 UPC 6 56803 13022 4



**Model 301-GT-C3**  
 UPC 6 56803 33011 2

**Model 301-GT-C2**  
 UPC 6 56803 23011 5

**Model 301-GT-C1**  
 UPC 6 56803 13011 8

**MODEL 302-BG-C3**

**Model 302-GT-C3**  
 UPC 6 56803 33021 1

**Model 302-GT-C2**  
 UPC 6 56803 23021 4

**Model 302-GT-C1**  
 UPC 6 56803 13021 7



**Model 301 CageView™**

**Model 301-GT-CV**  
 UPC 6 56803 63011 3

**Model 301-BG-CV**  
 UPC 6 56803 63012 0

**COLOR OPTIONS:**  
 Choose Brown Granite (BG) or Green Turf (GT)

**STANDARD**

**Foam Inserts**  
 Model 701-FV

Foam inserts for ventilation are included with each enclosure.

**OPTIONAL**

**Metal Vents**  
 Model 701-MV

Optional metal grate vents for additional security.

Hardware is included with each enclosure for anchoring to a concrete pad. Stakes are also included for situations where no concrete pad is required.

**Model 302 CageView™**

**Model 302-GT-CV**  
 UPC 6 56803 63021 2

**Model 302-BG-CV**  
 UPC 6 56803 63022 9



This enclosure's base has a solid floor for mounting a pump.

**Model 321 Dimensions:**  
 33.5" L x 16.5" W x 26.5" H

**Model 321-GT**  
 UPC 6 56803 03011 1

**Model 321-BG**  
 UPC 6 56803 03012 8

This enclosure's base has a solid floor for mounting a pump.

**Model 322 Dimensions:**  
 48" L x 17" W x 27.5" H

**Model 322-GT**  
 UPC 6 56803 03021 0

**Model 322-BG**  
 UPC 6 56803 03022 7